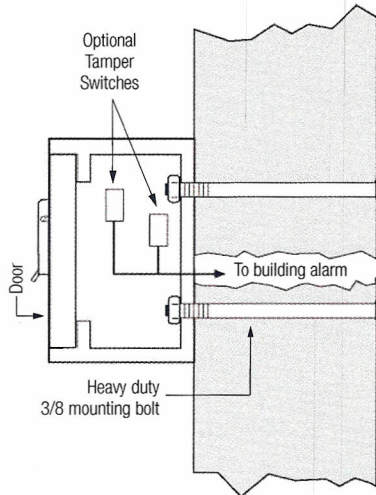
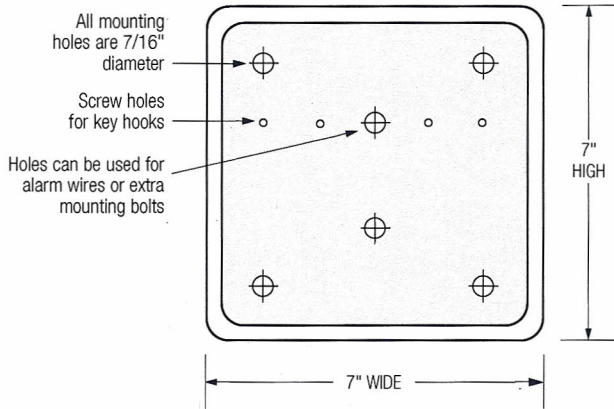
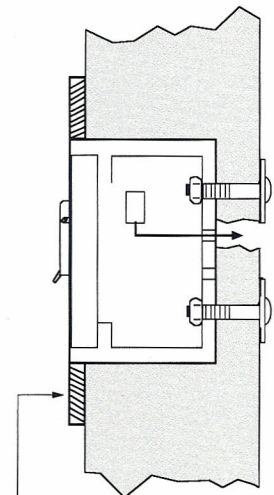


EAS MODEL 6000 Installation Diagrams

Check with local fire department for suggested mounting height and location
3/8" grade 8 bolts recommended to install all EAS products



6000 Surface Mount with tamper switch



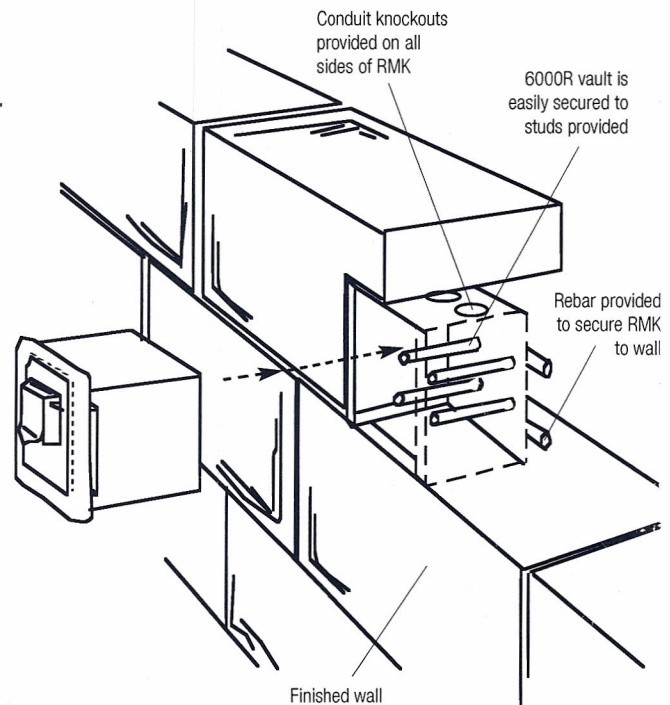
6000R Recessed Mount with flange

6000RMK Recessed Mounting Kit

PLEASE NOTE: This kit can only be used prior to wall being erected. It must be installed in the wall as it is being built. The Recessed Mounting Kit 6000RMK is to be used with Models 6000R and 6000RTS only. After RMK is installed, the 6000R or 6000RTS can easily be secured inside by using studs and hardware supplied with unit. Please see mounting diagram or call 401-295-7707 if you have any questions regarding installation.

6000RMK Dimensions: 8 1/4"H x 8 1/4"W x 7"D including Rebar

It is very important that the Recessed Mounting Kit (6000RMK) cover plate screw heads be even with the finished wall. It is also very important that the 6000RMK be level for proper alignment of the 6000R key box.



EMERGENCY ACCESS SYSTEMS, INC.

P.O. Box 1811, Kingston, RI 02881

Tel: 401-295-7707 Fax: 401-295-7708

TOLL FREE 1-877-562-5269